

## H3 Swinghandle System

Plastic · Large · Non-sealed

### Features

- Lightweight glass filled nylon swinghandle system UL94-V0 rated
- DIN profile locking options
- Push or turn to close versions available

### Material

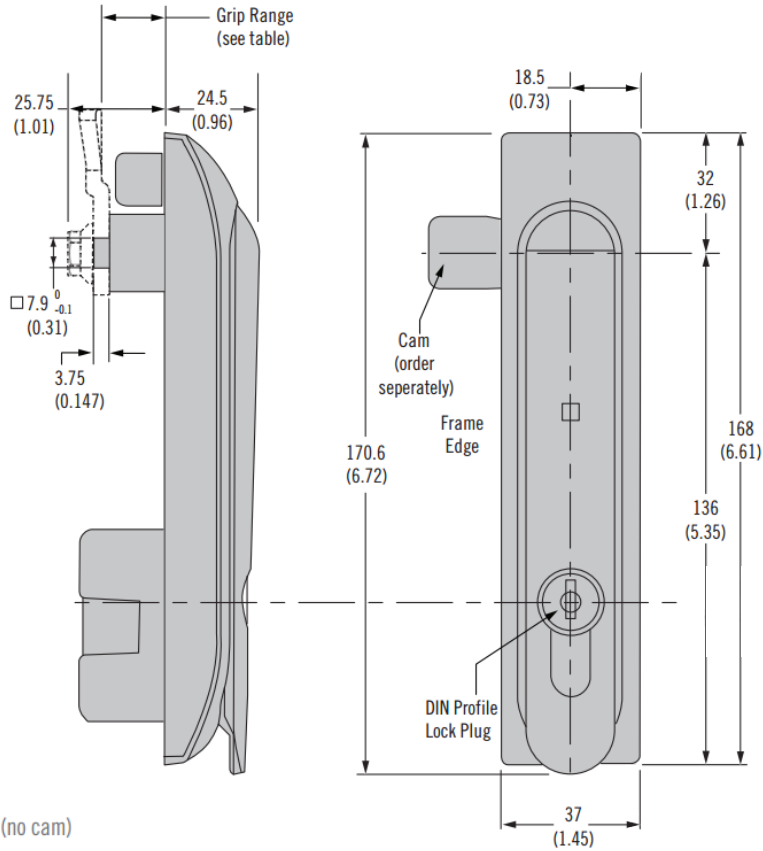
- Handle: Glass filled nylon
- Cam: Steel, zinc plated

### Product Performance

- Max. static load: 250 N

### Notes

- For single point: Order latch and cam separately
- For multi-point order, order following separately
  - Latch and cam
  - Linear actuator and rod adaptors
  - Rods
  - Rod guides



### Latch Part Number (no cam)

#### T Style

- 65 Push to close handle
- 66 Turn to close handle

#### L Lock style

- 00 Locking DIN profile (no lock supplied)
- 21 Locking DIN profile keyed alike CH751\*
- 22 Locking DIN profile keyed alike 300\*
- 23 Locking DIN profile keyed alike 333\*
- 70 DIN profile 3 mm Double-bit
- 71 DIN profile 5 mm Double-bit
- 72 DIN profile Bellcore 216
- 73 DIN Profile Bellcore Hex-Pin Recess
- 77 DIN profile 8 mm triangle

H3 - T - 5 L - 071

### Cam Part Number Table

Grip	Part Number (length = 38mm)	Part Number (length = 45mm)
15.5 (.61)	E5-6710	E5-6110
17.5 (.69)	E5-6711	E5-6111
19.5 (.77)	E5-6712	E5-6112
21.5 (.85)	E5-6713	E5-6113
23.5 (.93)	E5-6714	E5-6114
OTHER	Contact Gripwell for assistance	

\*2 keys supplied

## H3 Linear Actuators

Linear actuators and rod adaptor for plastic H3 swinghandle system

### Features

- Linear actuator for use with plastic H3-65 and H3-66 swinghandles
- Linear rod travel for limited space
- Suitable for left and right hand applications
- Left and right hand actuators can be disassembled and reassembled in the opposite hand if required
- Order linear actuator and rod adaptors separately (1 actuator and 2 adaptors required per latch)

### Material

- Zinc alloy and steel, zinc plated

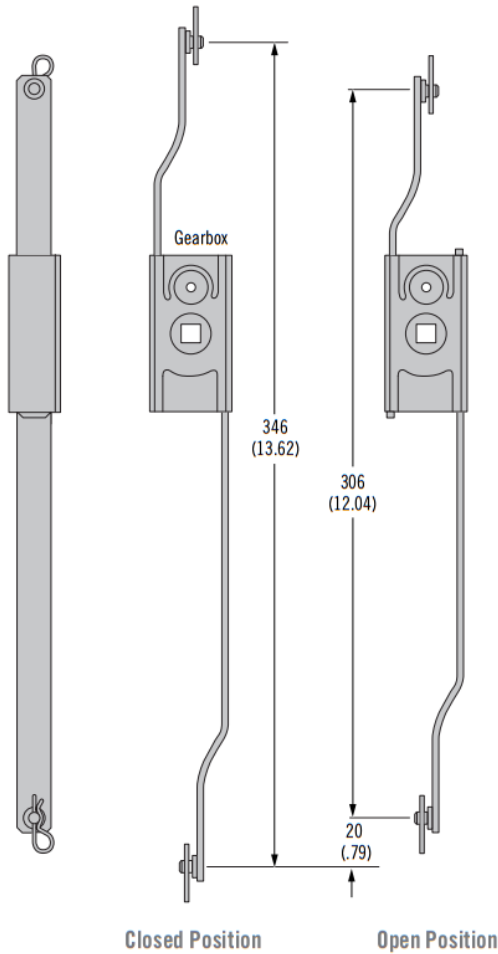
### Accessories

- Replacement rod adaptor retainer pin part number: H3-0-44778-01

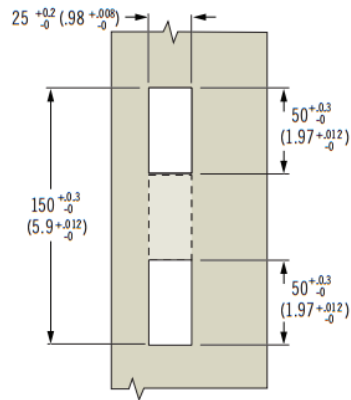


### Linear Actuator

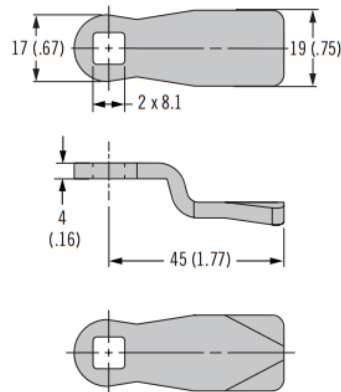
(Right Hand Mounting shown)



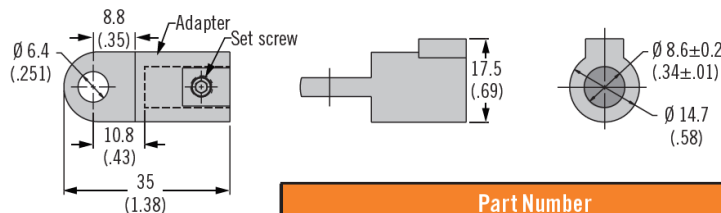
### Panel Preparation



### Cam



### Rod Adaptor



Part Number	
Linear actuator right hand mounting	H3-61-56-33
Linear actuator left hand mounting	H3-61-55-33
Rod adaptor	A5-92-201-31

southco®